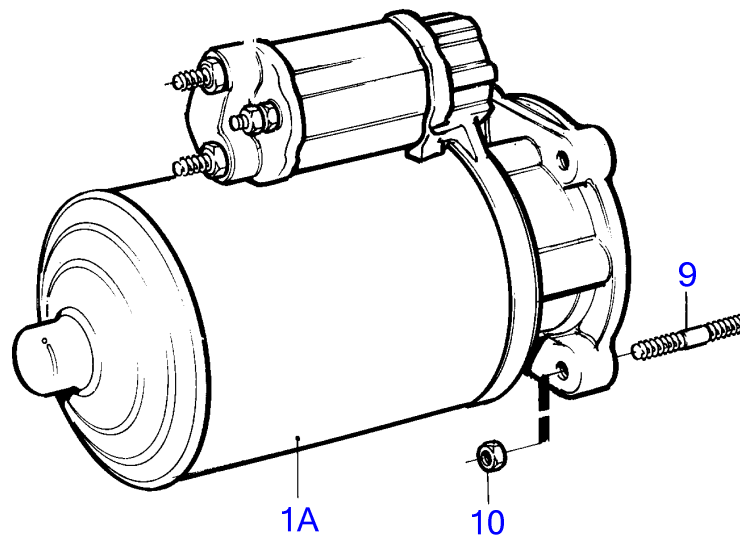
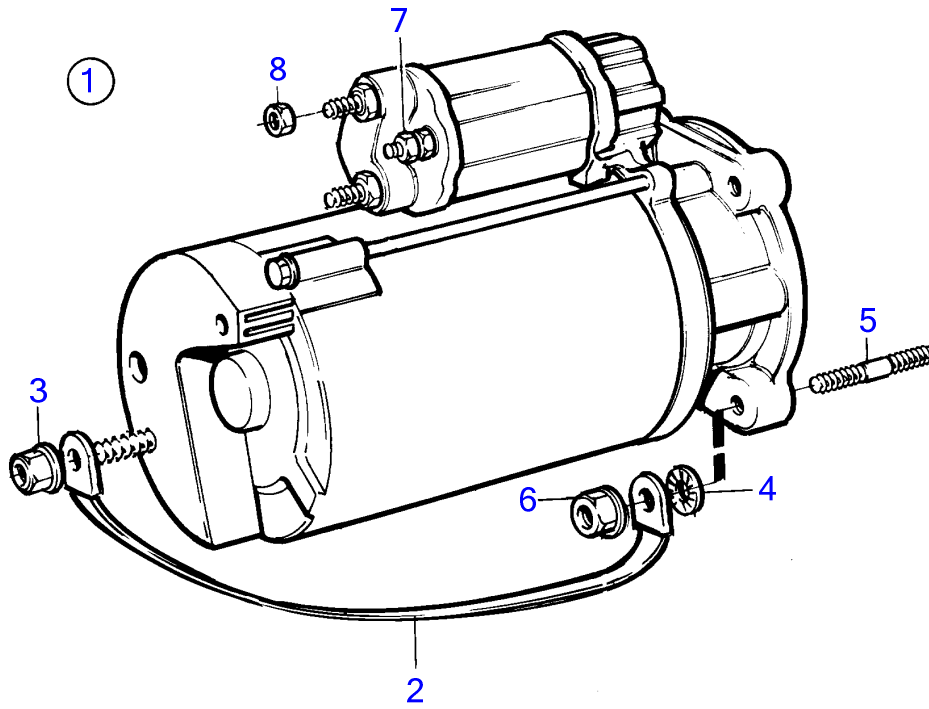


TAMD31L-A, TAMD31M-A, TAMD31P-A, TAMD31S-A, TAMD41H-A, TAMD41H-B, TAMD41P-A, TAMD41L-A, TAMD41M-A, TMD31L-A, TMD41L-A



11119

TAMD31L-A, TAMD31M-A, TAMD31P-A, TAMD31S-A, TAMD41H-A, TAMD41H-B, TAMD41P-A, TAMD41L-A, TAMD41M-A, TMD31L-A, TMD41L-A

REF	PART NO.	QTY	DESCRIPTION	SEE SEC.	NOTES
1	859252	1	Starter motor		12V
			.		
			.	583	
	3581774	1	Starter motor		
	3803386	1	Starter motor, exch, exch		
			.		
			.	4930	
1A	838987	1	Starter motor		24V
1			.		
			.	968	
2	968048	1	Chassis ground cable		
3	945408	1	Flange nut		
4	945987	1	Toothed washer		
5	953067	2	Stud		L=45mm
	953069	1	Stud		L=50mm
6	971095	3	Flange nut		
7	965483	1	Flange nut		
8	945408	1	Flange nut		
9	953067	2	Stud		L=45mm
	953069	1	Stud		L=50mm
10	971095	3	Flange nut		